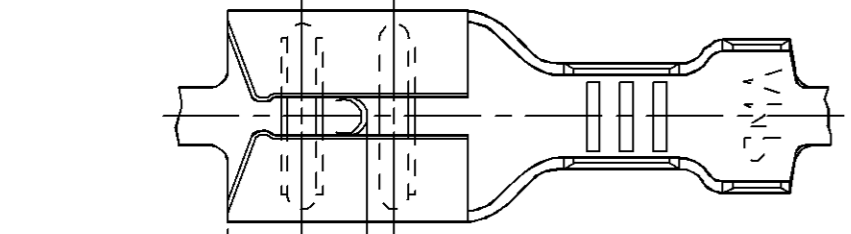


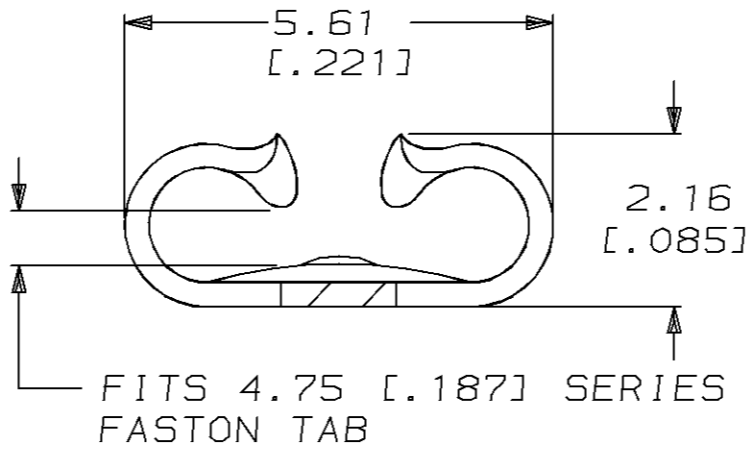
THIS DRAWING IS UNPUBLISHED. RELEASED FOR PUBLICATION, 19
 © COPYRIGHT 19 BY AMP INCORPORATED. ALL INTERNATIONAL RIGHTS RESERVED.

LOC	DIST	P	F	REVISIONS				
AF	50			ZONE	LTR	DESCRIPTION	DATE	APPD
					M	REV PER 0L10-0014-96	8/1/96	JR/PF

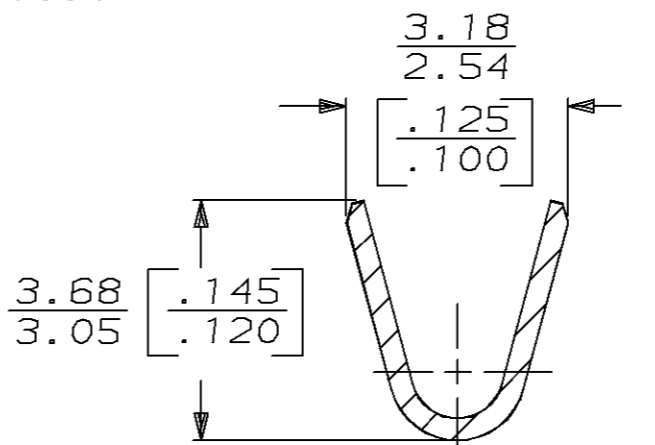
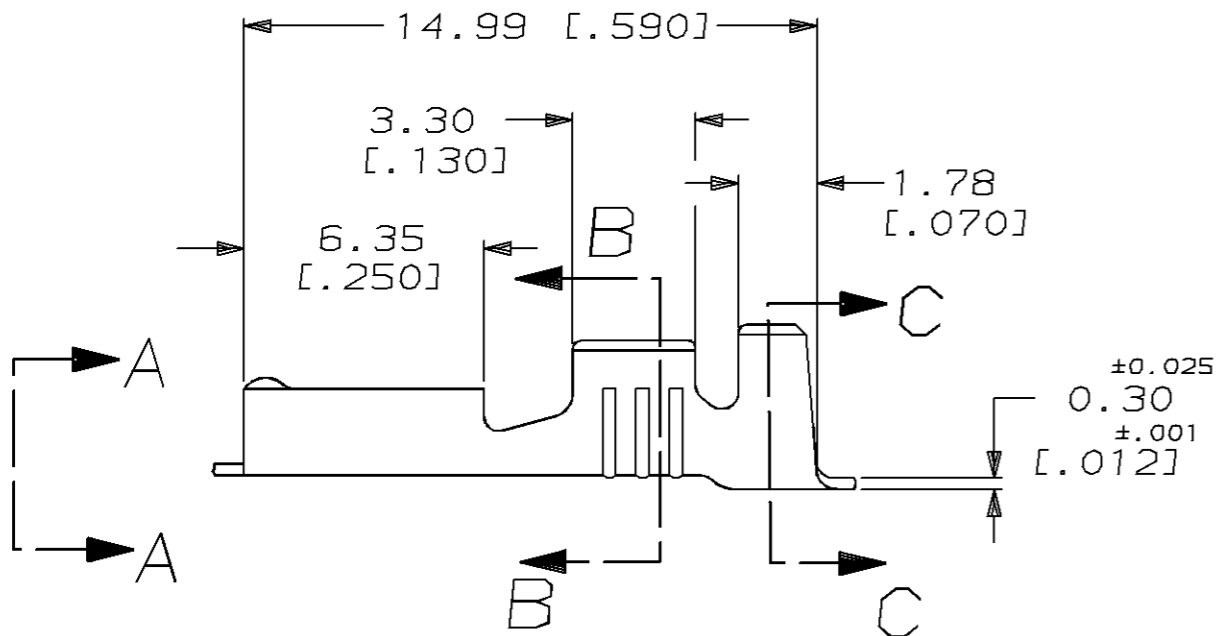
- 1 CONTINUOUS STRIP ON REELS
- 2 TIN PLATE 0.002032 [.000080] MIN THK.



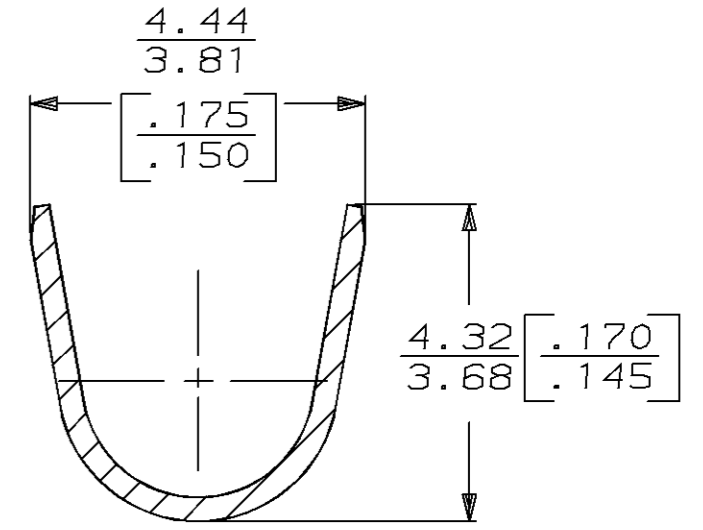
3.68
[.145]



VIEW A-A
SCALE 10:1



SECTION B-B
SCALE 10:1



SECTION C-C
SCALE 10:1

METRIC

TIN $\triangle 2$	2.29-3.30 [.090-.130]	0.5-1.3mm ² [20-16] AWG	0.51 [.020]	42801-2 42801-1
FINISH	INSULATION RANGE	WIRE SIZE	MATING TAB THK ±0.025 [.001]	PART NO
DO NOT SCALE PRINT. UNLESS SPECIFIED DIMENSIONS IN mm [INCHES] TOLERANCES ON: 2 PLC DEC ± 0.38 [.015] 3 PLC DEC ± - ANGLES ± -	DR 1/24/91 JR RUTH CHK 1/25/91 P FORTNEY APPD 1/25/91 C MEYERS APPD 1/25/91 D REINER PRODUCT SPEC -	AMP AMP Incorporated Harrisburg, PA 17105-3608 NAME RECEPTACLE, FASTON™ 4.75 [.187] SERIES		
MATERIAL #4H BRASS	APPLICATION SPEC -	SIZE B	CAGE CODE 00779	DRAWING NO 42801
FINISH SEE TABLE	WEIGHT -	SCALE 5:1	SHEET 1 OF 1	